

Tc max=105°C
Risk group(EN 62471:2008)=1

Fitting must only be used complete with their protection cover. Tempered safety glass or polycarbonate cover of dimensions 177x177 mm and 5 mm thickness.

Installation cable must support 110°C temperature. Feeding cable must be cable pipe 3x1 mm². Installation may require advice.

Do not acumulate excess of cable into the fixture.

General safety instructions: information on restrictions related to use of the light fixtures (class, IP, etc), can be found both on the fixture label and on our website at www.rovasi.com.

The wiring schematics can be found on page 2 of the document.

ELECTRONIC EQUIPMENT:

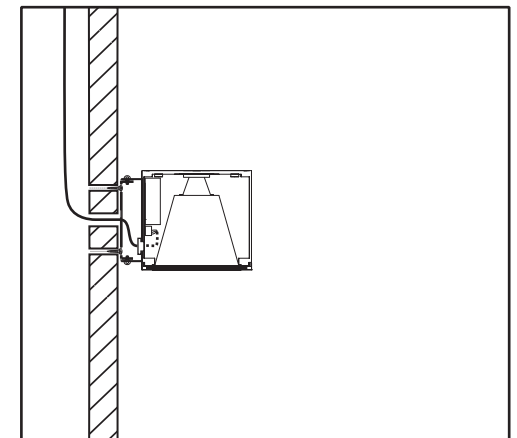
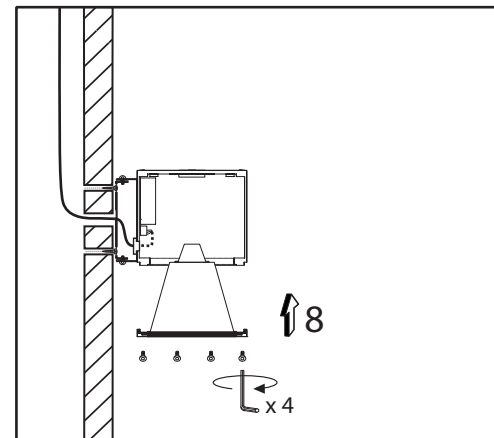
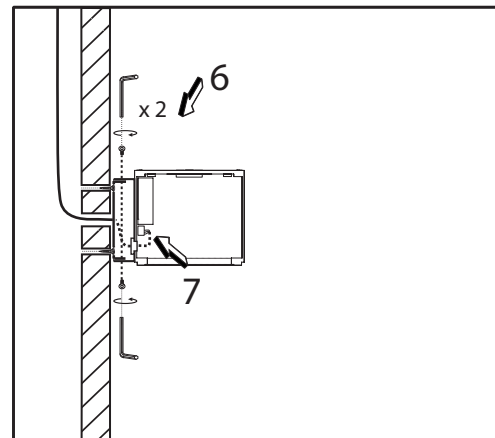
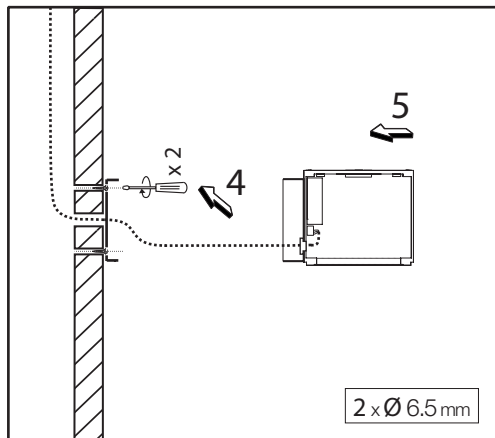
S: On/Off .
D: DALI/DSI/switchDIM. There are accessories available for dimming devices.

17W / 500mA

101TMS.1.01-I869
101TMS.1.01-I870
101TMS.1.01-I871

Distance between screw holes (D). Mounting screws not included.

6.15Kg



LED technology and performance data are constantly changing. Current details should therefore be checked with ROVASI in order to ensure that its still the mostup to date reference. Updated data will be supplied on request. [06.02.2022]

Installation instructions. Mains supply wires

- Wiring type and cross section
- Solid wire a cross section of 0.5 -2.5mm² . Strip 10-11 mm of insulation from the cables to ensure perfect operation of terminals.
- Use one wire for each terminal connector only.
- Use each strain relief channel for one cable only.
- Installation may require advice from a qualified person.
- Single lights apt for outer use.

Wiring guidelines

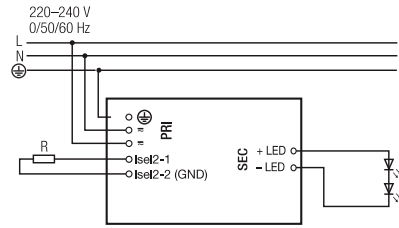
- All connections must be kept as short as possible to ensure good EMI behaviour.
- The cables should be run separately from the mains connections and mains cables to ensure good EMC conditions.
- The LED wiring should be kept as short as possible to ensure good EMC.
- The max. secondary cable length is 2m (4m circuit). Secondary switching is not permitted.
- Incorrect wiring can damage LED modules.
- The LED Driver has no inverse-polarity protection on the secondary side. Wrong polarity can damage led modules with no inverse-polarity protection.

- Earth connection is recommended to improve following behaviour.
- Electromagnetic interferences (EMI)
- Transmission of mains transients to the LED output.

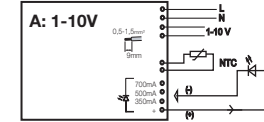


Release of the wiring
Press down the "push button"
and remove the cable from front

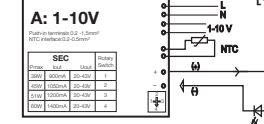
Circuit diagram **S:Electronic constant current drivers**



Circuit diagram **A: ** 1-10V [to consult]**

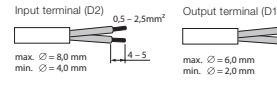
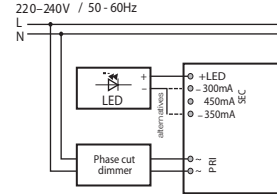


Circuit diagram **A: ** 1-10V [class I]**

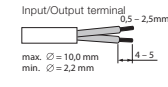
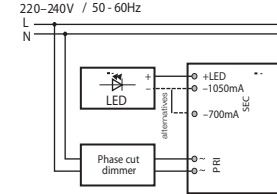


Power	LED	Primary	Secondary
700mA	300mA	20-24V	1
500mA	450mA	20-24V	2
350mA	350mA	20-24V	3
350mA	350mA	20-24V	4

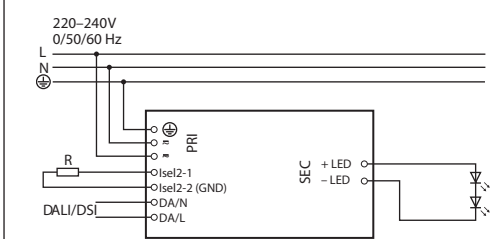
Circuit diagram **P: Phase cut**



Only available for following power:
12W / 17W / 23W / 36W.



Circuit diagram **D: DALI/DSI/SwitchDIM/corridorFUNCTION**



Maximum lead length

LED 3m^Ø
Status indication LED 1m
Batteries 1.3m
Isolation and electric strength testing of luminaires

Ø Note: The length of LED module must not be exceeded. Note that the length of the EM converterLED leads to the LED module will be added to the length of the leads from the control gear to the EM converterLED module when considering the lead length of the control gear. Leads should always be kept as short as possible.

Wiring guidelines

The LED terminals, battery, indicator LED and test switch terminals are classified as SELV (output voltage <60V DC).

Keep the wiring of the input terminals separated from the wiring of the SELV equivalent terminals or consider special wiring (double isolation, 6mm creepage and clearance) when these connections should be kept SELV.

The output to the LED is DC but has high frequency content, which should be considered for good EMC compliance.

LED leads should be separated from the mains connections and wiring for good EMC performance.

Maximum lead length on the LED terminals is 3m. For a good EMC performance keep the LED wiring as short as possible.

Maximum lead length for the Test switch and indicator LED connection is 1m.

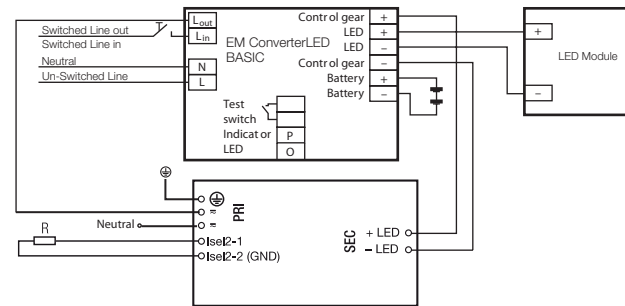
The test switch and indicator LED wiring should be separated from the LED leads to prevent noise coupling.

Battery leads are specified with 0.5mm cross section and a length of 1.3m.

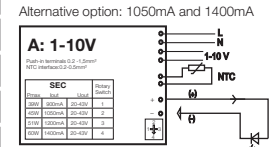
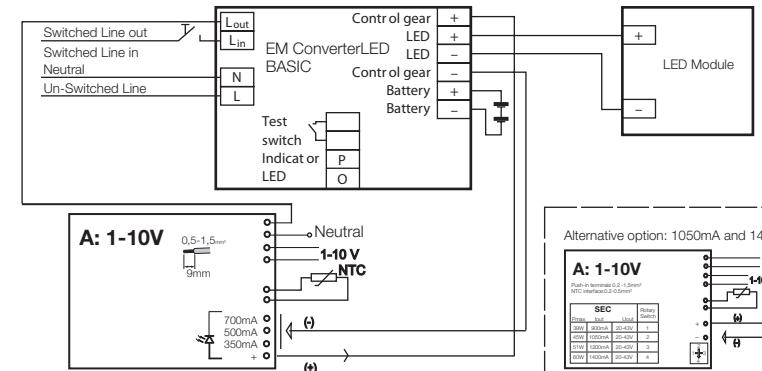
EM: Electromagnetic
EMC: Electromagnetic Compatibility
DC: Direct current
SELV: Safety extra low voltage

Circuit diagram **SE: ON/OFF + E-KIT[class I]**

EM converterLED BASIC with a standard LED control gear and one LED module for mains and emergency operation.

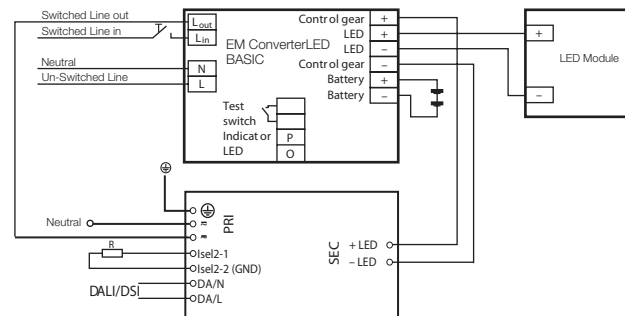


Circuit diagram **AE: ** 1-10V Dimming driver + E-kit[class I] [to consult]**



Circuit diagram **DE: DALI Dimming driver + E-kit [class I]**

EM converter LED BASIC with a DALI LED control gear and one LED module for mains and emergency operation.



Circuit diagram **DDE: DALI Diming driver + E-kit(Dali) [class I]**

EM converter LED PRO with a DALI LED control gear and one LED module for mains and emergency operation.

