

The length of the standard cable (1,000 mm) may be adjusted to the current project. Attention: In case of a modular structure, a new electrical supply wire must be added every 25mts of linear section and/or when the total power of the whole linear section is above 1100W.

Tc max=85°C
Risk group(EN 62471:2008)=1
Installation cable must support 110°C temperature. Feeding cable must be cable pipe 3x1 mm² and 3x1,5 mm². Installation may require advice.



Do not accumulate excess of cable into the fixture.



Attention: We do recommend being installed by two people for proper safety.



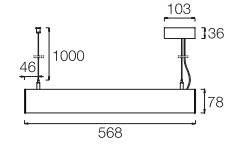
General safety instructions: information on restrictions related to use of the light fixtures (class, IP, etc), can be found both on the fixture label and on our website at www.rovasi.com.

The wiring schematics can be found on page 2 of the document.

ELECTRONIC EQUIPMENT:

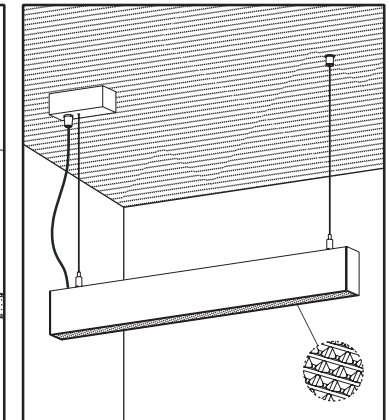
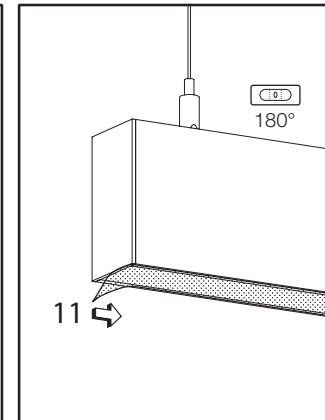
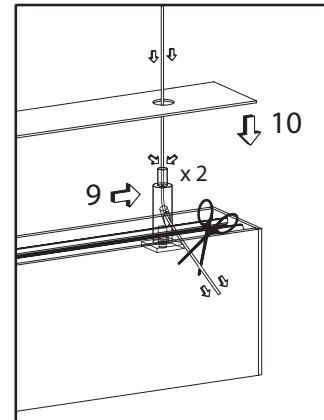
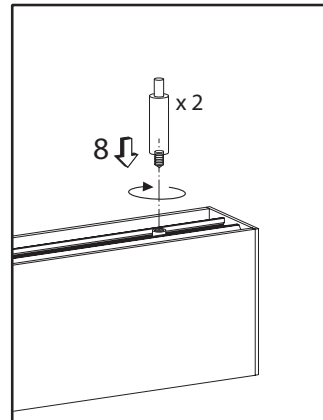
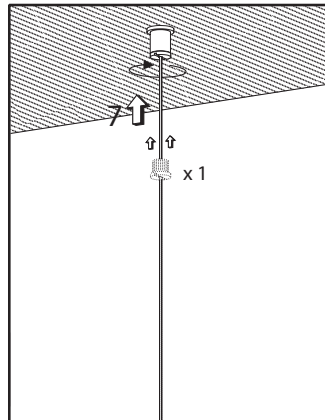
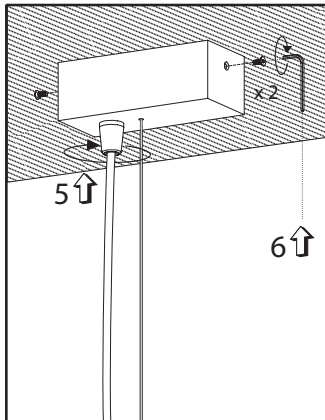
S: On/Off .

D: DALI/DSI/switchDIM. There are accessories available for dimming devices.



6W / 150mA

431KTA.1-I723
431KTA.1-I724
431KTA.1-I725
431KTA.1-I726
431KTA.1-I728
431KTA.1-I729

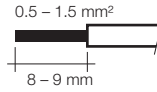


LED technology and performance data are constantly changing. Current details should therefore be checked with ROVASI in order to ensure that its still the mostup to date reference. Updated data will be supplied on request. [05.09.2022]

Installation instructions. Mains supply wires

- Wiring type and cross section
- Solid wire with a cross section of 0.5 – 1.5 mm².
- Strip 8-9mm of insulation from the cables to ensure perfect operation of the push terminals.
- Use one wire for each terminal connector only.
- Use each strain relief channel for one cable only.
- Installation may require advice from a qualified person.
- Single lights apt for outer use.

Wire preparation:



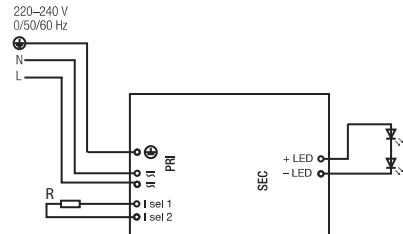
Wiring guidelines

- All connections must be kept as short as possible to ensure good EMI behaviour.
- Earthing is not required for the device to operate but will improve the EMI behaviour.
- The max. secondary cable length is 2m (4m circuit).
- Secondary switching is not permitted.
- Incorrect wiring can damage LED modules.

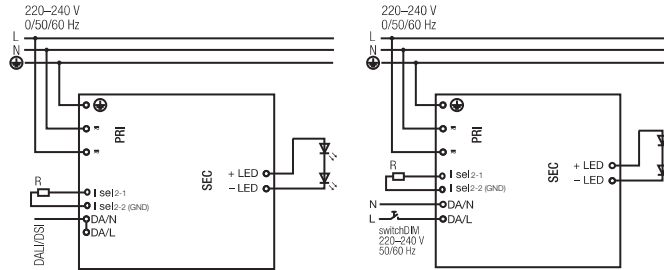
Loose wire through twisting and pulling or using a Ø1mm release tool.



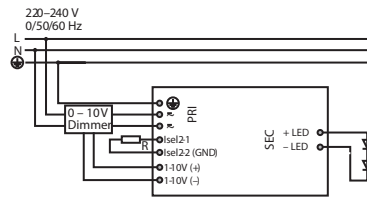
Circuit diagram S: Standard ON/OFF



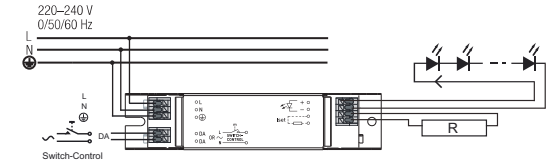
Circuit diagram D: DALI/DSI/SwitchDIM/corridorFUNCTION



Circuit diagram A: 1-10V [to consult]



Circuit diagram DB: DALI



Maximum lead length

LED 3m[®]
Status indication LED 1m
Batteries 1.3m
Insolation and electric strength testing of luminaires

Note: The length of LED module must not be exceeded. Note that the length of the EM converterLED leads to the LED module will be added to the length of the leads from the control gear to the EM converterLED module when considering the lead length of the control gear. Leads should always be kept as short as possible.

Wiring guidelines

The LED terminals, battery, indicator LED and test switch terminals are classified as SELV (output voltage <60V DC). Keep the wiring of the input terminals separated from the wiring of the SELV equivalent terminals or consider special wiring (double insulation, 6mm creepage and clearance) when these connections should be kept SELV.

The output to the LED is DC but has high frequency content, which should be considered for good EMC compliance.

LED leads should be separated from the mains connections and wiring for good EMC performance. Maximum lead length on the LED terminals is 3m. For a good EMC performance keep the LED wiring as short as possible.

Maximum lead length for the Test switch and indicator LED connection is 1m.

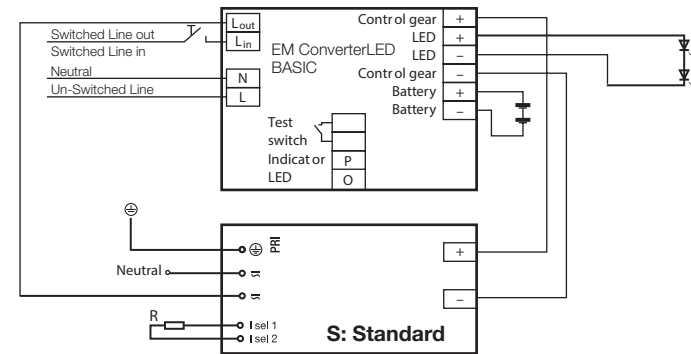
The test switch and indicator LED wiring should be separated from the LED leads to prevent noise coupling.

Battery leads are specified with 0.5mm cross section and a length of 1.3m.

EM: Electromagnetic
EMC: Electromagnetic Compatibility
DC: Direct current
SELV: Safety extra low voltage

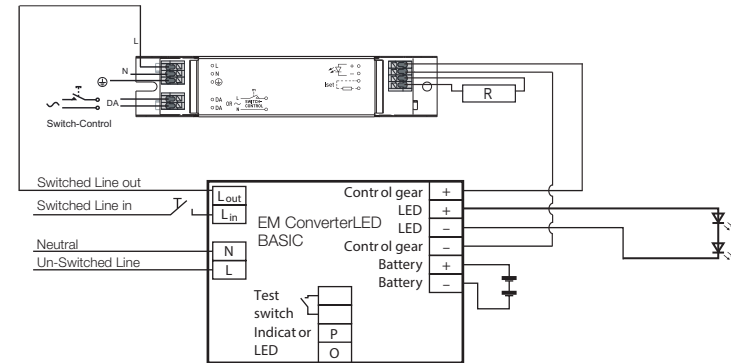
Circuit diagram SE: Emergency kit

EM converter LED BASIC with a standard LED control gear and one LED module for mains and emergency operation.



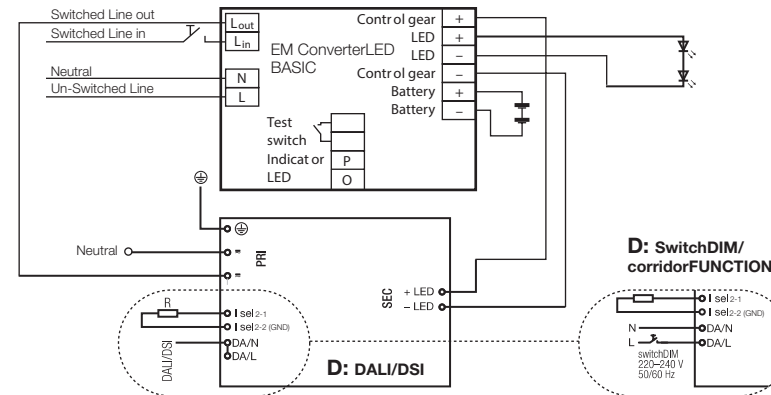
Circuit diagram DBE: DALI + Emergency Kit

EM converter LED BASIC with a DALI BASIC LED control gear and one LED module for mains and emergency operation.



Circuit diagram DE: DALI/DSI/SwitchDIM/corridorFUNCTION + E-kit

EM converter LED BASIC with a DALI LED control gear and one LED module for mains and emergency operation.



Circuit diagram DDE: DALI/DSI/SwitchDIM/corridorFUNCTION + E-kit (DALI)

EM converter LED PRO with a DALI LED control gear and one LED module for mains and emergency operation.

