

Distance between screw holes (D). Mounting screws not included. 1/ Aluminium tube 2/ Preparing the ground and drainage 3/ Recommended accessory: IP68 junction box: F3.A

Tc max=105°C
Risk group(EN 62471:2008)=1

Stainless steel surfaces must be cleaned with a soft cloth and clean warm water. Avoid using abrasive cleaners.

Fitting must only be used complete with their protection cover. Tempered safety glass or polycarbonate cover of Ø58 and 10 mm thickness.

Installation cable must support 110°C temperature. Feeding cable must be cable pipe 3x1,5 mm². Instalation may require advice.

Do not acumulate excess of cable into the fixture.

6600kg T = 60°

85mm

General safety instructions: information on restrictions related to use of the light fixtures (class, IP, etc), can be found both on the fixture label and on our website at www.rovasi.com.

The wiring schematics can be found on page 2 of the document.

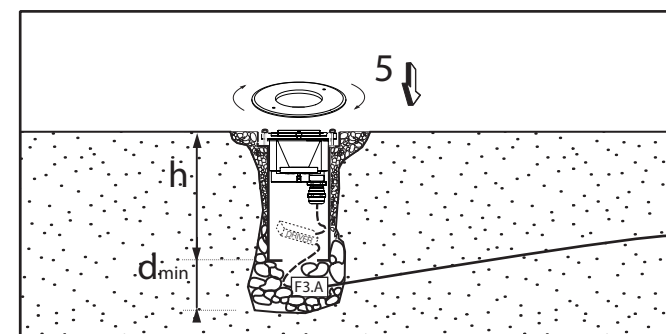
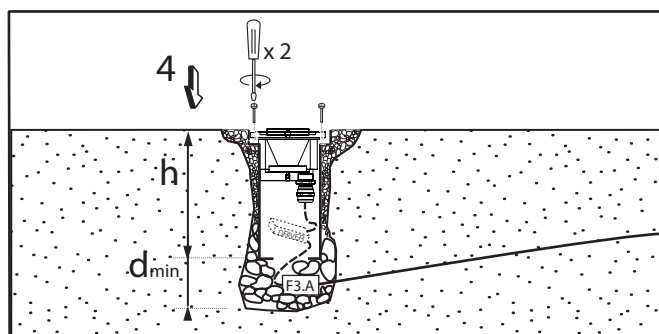
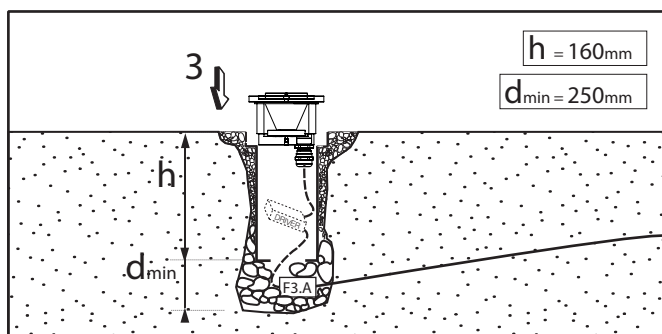
ELECTRONIC EQUIPMENT:

S: On/Off.

ACCESSORIES

4.5W / 140mA

102LTS.8.01-R1107
102LTS.8.01-R1108
102LTS.8.01-R1109



LED technology and performance data are constantly changing. Current details should therefore be checked with ROVASI in order to ensure that its still the mostup to date reference. Updated data will be supplied on request. [05.02.2022]

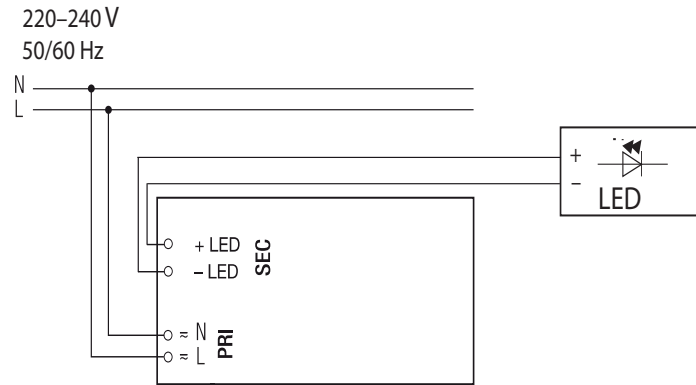
Installation instructions. Mains supply wires

- Wiring type and cross section
- Solid wire a cross section of 2.5mm². Strip 8,5-9,5 mm of insulation from the cables to ensure perfect operation of terminals.
- Use one wire for each terminal connector only.
- Use each strain relief channel for one cable only.
- Installation may require advice from a qualified person.
- Single lights apt for inner use outer.

Wiring guidelines

- Cable length is 190mm.
- Short circuit, overload, open circuit and thermal protection.

Wiring diagram S: On/Off



Input / Output terminal

